



OM12

M12 and DIN 43650 Socket Connected Mineral Insulated Thermocouple

OM12 series thermocouples are designed for temperature measurements in industrial environments. During the design phase, compliance with international standards, reliability and ease of use are taken as a basis. It is especially preferred in the food sector and in processes requiring hygiene.

Sensor Type	Standard	Temperature Range (°C) (°F)	
Type-T Thermocouple (Cu-Konst)	IEC584-1	-200, 400	-328, 752
Type-L Thermocouple (Fe-Konst)	DIN43710	-200, 900	-328, 1652
Type-J Thermocouple (Fe-Konst)	IEC584-1	-200, 1120	-328, 1562
Type-K Thermocouple (NiCr-Ni)	IEC584-1	-200, 1360	-328, 2480
Type-N Thermocouple (Nicrosil-Nisil)	IEC584-1	-200, 1300	-328, 2372

- Mineral Insulated -200 ... + 1200 ° C
- Sensor Types (T, L, J, K, N)
- Hygienic Connection Option
- M12 Connection (IP66)
- DIN 43650 Electrical Connection

Product Code

Mineral Insulated Thermocouple Type Coding

Picture No : _____

- A1
- A2 - Hygienic Type
- A3 - Hygienic Type
- A4
- A5 - Hygienic Type
- A6 - Hygienic Type

Electrical Connection : _____

- 1 = DIN 43650 Valve Socket
- 2 = M12 x 1 Socket

Number of Elements : _____

- 1 = Single Element
- 2 = Double Element

Element Type : _____

- T ((Cu-Konst)
- L (Fe-Konst)
- J (Fe-Konst)
- K (NiCr-Ni)
- N (Nicrosil-Nisil)

Outer Protective Sheath Diameter : _____

- 10 = 1 mm (Mineral Insulated)
- 15 = 1,5 mm (Mineral Insulated)
- 20 = 2 mm (Mineral Insulated)
- 30 = 3 mm (Mineral Insulated)
- 45 = 4,5 mm (Mineral Insulated)
- 60 = 6 mm (Mineral Insulated)
- 80 = 8 mm (Mineral Insulated)

Exceptions :

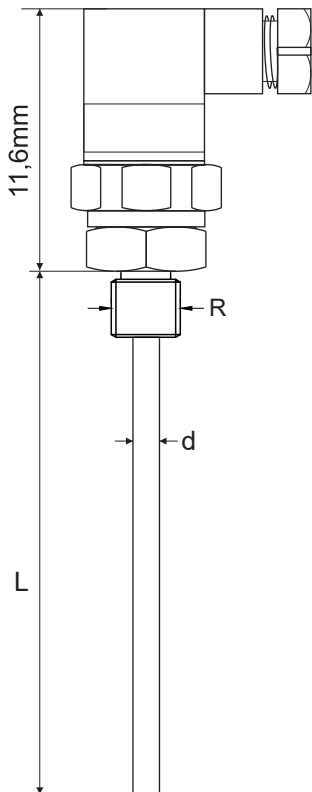
- RX* (Raccord)
- RA (Adjustable Raccord)
- F (Flange)
- HD (Air Perforated)
- Ö (Special)
- SF (Certificate)
- W (Thermowell)
- T (Teflon Coating)
- TH (Teflon Hose)

Immersion Length :

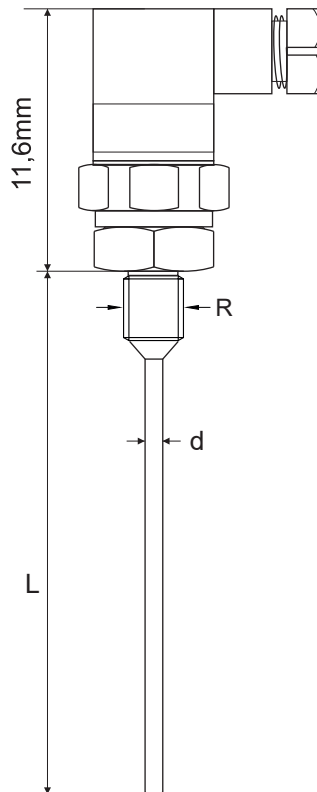
- 5 = 50 mm
- 10 = 100 mm
- 15 = 150 mm
- 20 = 200 mm
- 25 = 250 mm
- 30 = 300 mm
- 40 = 400 mm
- 80 = 800 mm

Note : All Lengths Between 10 mm 5000 mm

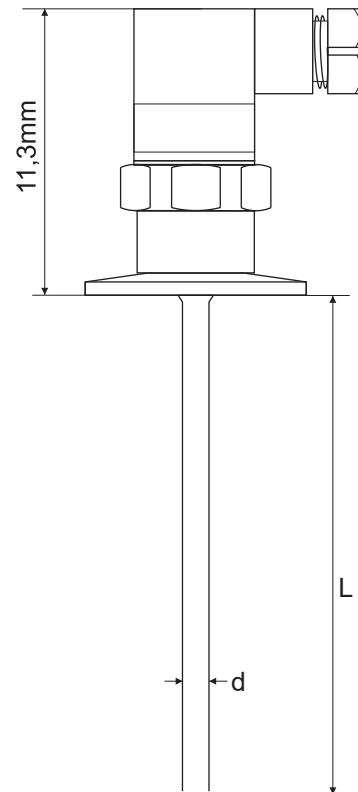
DIN 43650 Valve Socket



A1

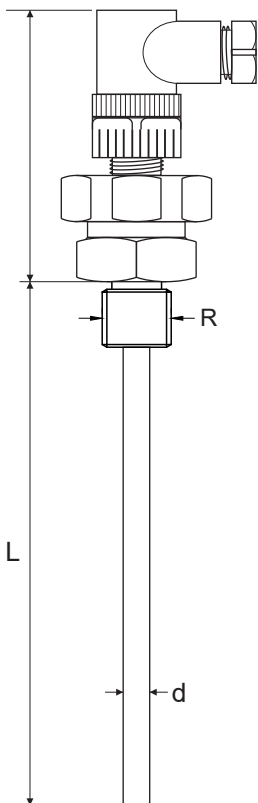


A2 - Hygienic Type

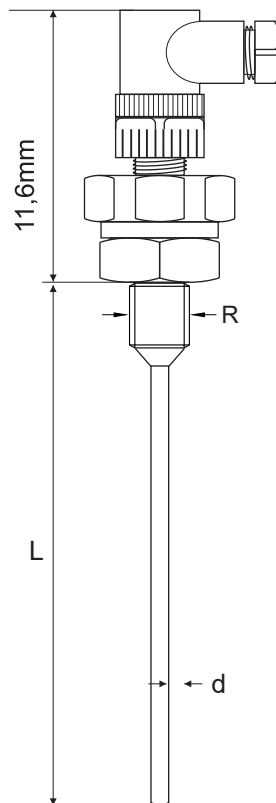


A3 - Hygienic Type

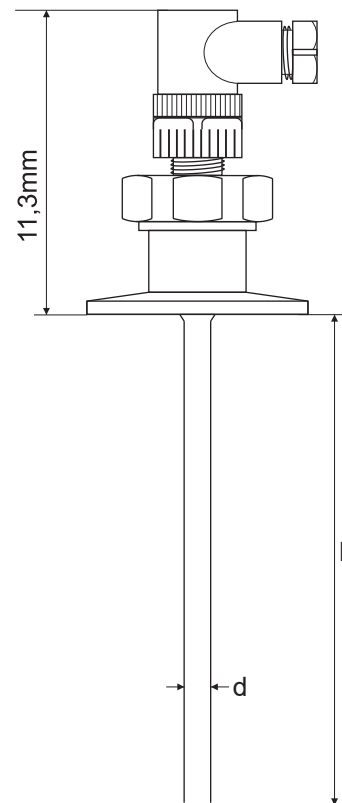
M12 x 1 Socket



A4



A5 - Hygienic Type



A6 - Hygienic Type